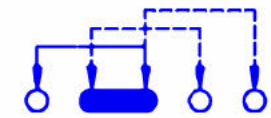
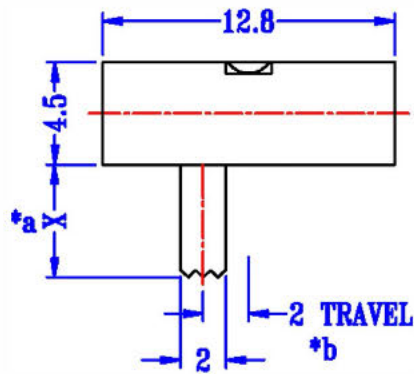
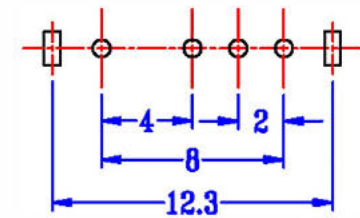
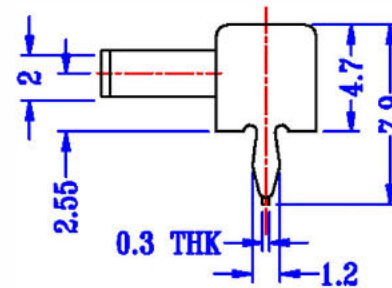
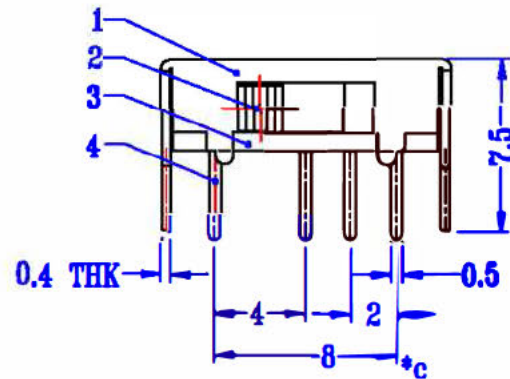




CAD FILE:



SCHEMATIC (SHORTING)



**P.C.B LAYOUT
BOTTOM VIEW**

NO.	PARTS	MATERIALS	Q'TY	FINISH	TOLERANCE UNLESS SPECIFIED	ISSUE	DATE	DESCRIPTIONS OF REVISION	APPD.
8									
7									
6									
5	CONTACT CLIP	PBS STRIP	1	Ag PLATED	WITHIN 1.5mm : ±0.1mm OVER 1.5mm : ±0.2mm	A	11-Jul-2015		
4	TERMINAL	BRASS STRIP	4	Ag PLATED OVER Ni PLATED					
3	BASE	PHENOLIC RESIN	1	NATURAL					
2	KNOB	POM	1	BLACK					
1	FRAME	STEEL STRIP	1	Ni PLATED					
					TITLE : HORIZONTAL SLIDE SWITCH		UNIT : mm	DRWG NO.:	
					MODEL: SBSK-13D07		SCALE: 3:1	DWN.	11-Jul-2015
					1P3T			CHK'D	
								APPD.	