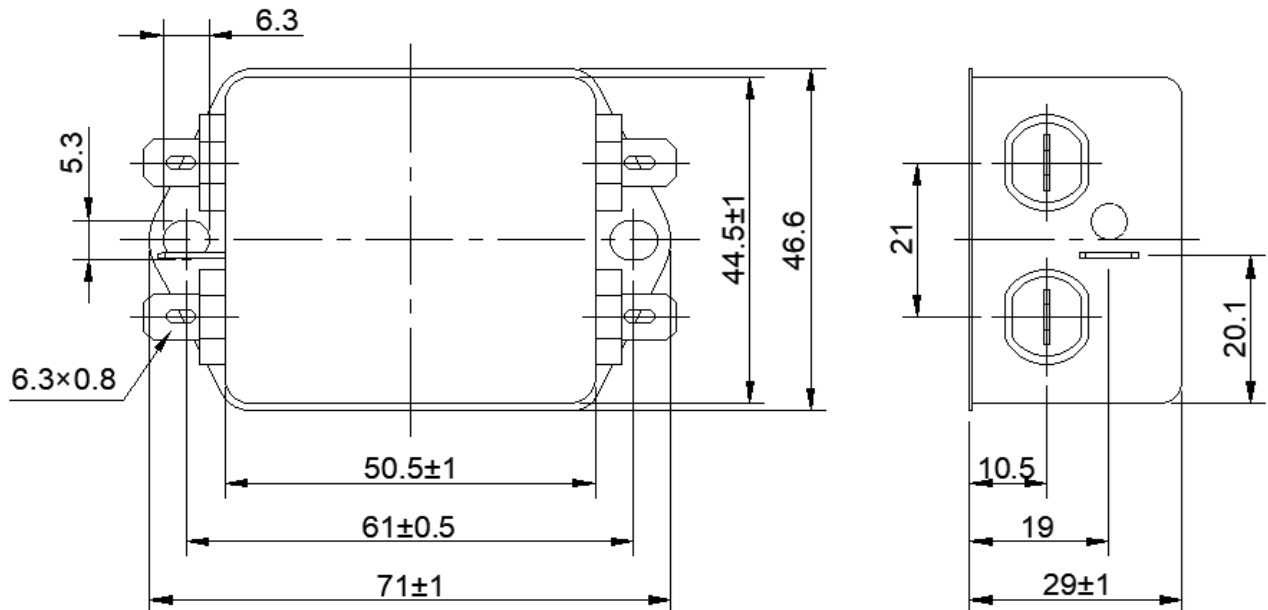


SE2010-16-01

1. Mechanical Dimension: (mm)



2. Technical Data: single phase two lines (L, N)

Rated Voltage: 120/250VAC

Rated Current: 16A@40°C

Operating Frequency: DC~400Hz

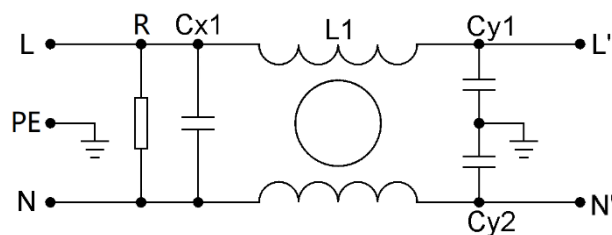
Leakage Current (250VAC/50Hz): <1mA

Test Voltage (1min):

line to ground: 1500VAC or 2250VDC line to line: 1450VDC

Climatic Category: 25/100/21

3. Electrical Schematic:



Type	L1 ^{+50%} _{-30%}	Cx1	Cy1~Cy2	R
SE2010-16-01	2x0.7mH	0.1uF	4700pF	1MΩ

4. Insertion Loss in dB: (Measured in 50Ω system, as IEC/CISPR NO.17)

Type	Freq. (MHz)	0.15	0.5	1.0	5.0	10	30
	IL (dB)						
SE2010-16-01	Com. Mode(CM)	18	32	38	45	50	50
	Diff. Mode(DM)	7	18	25	42	50	65