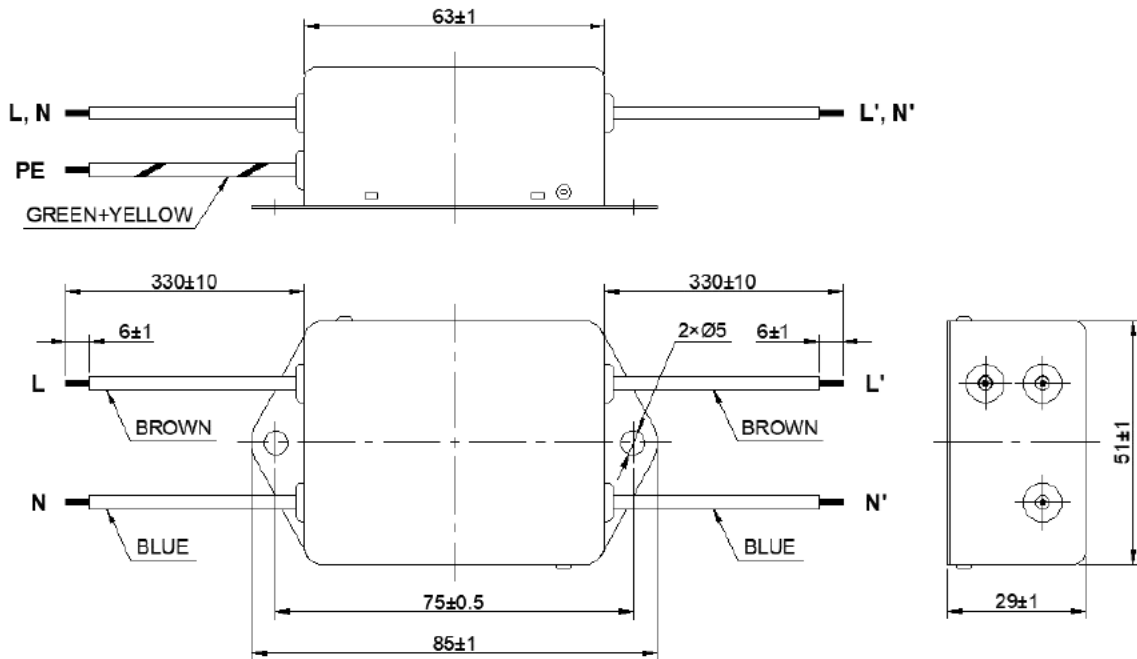


EMI FILTER SE2202-10-03

1. Mechanical Dimension: (mm)



2. Technical Data: single phase two lines (L, N)

Rated Voltage: 120/250VAC

Rated Current: 10A@40°C

Operating Frequency: 50/60Hz

Leakage Current (250VAC/50Hz): <0.5mA

Test Voltage (1min):

line to line: 1450VDC

line to ground: 1500VAC or 2250VDC

Climatic Category: 25/085/21

3. Electrical Schematic:

