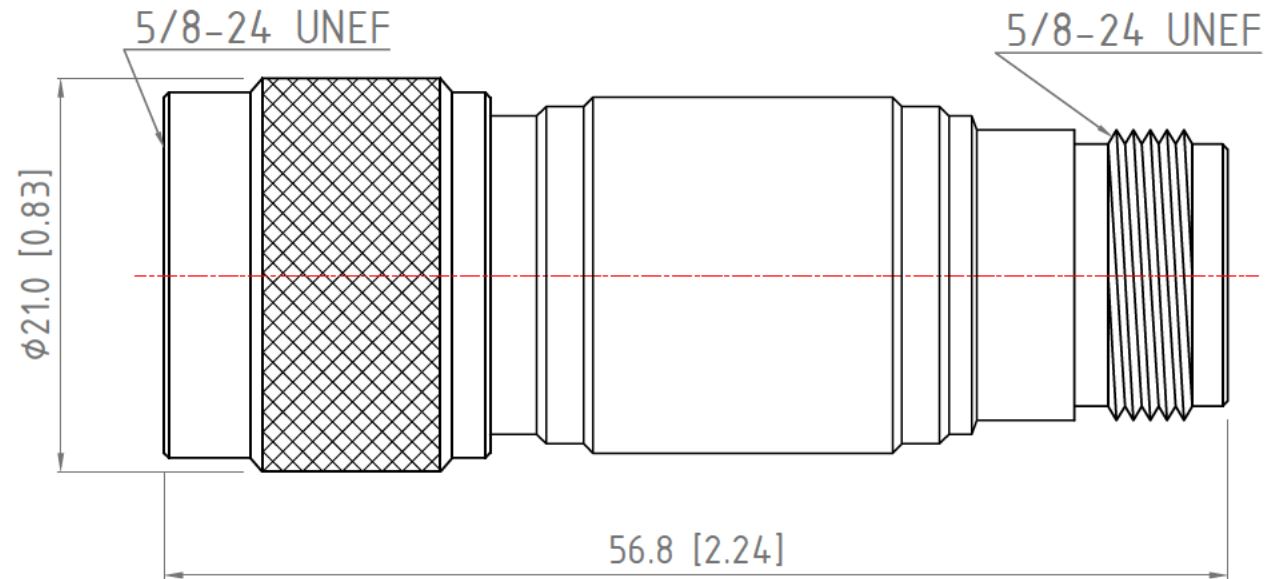


**Finish** [Unit of Plating Thickness: Is in Micro Inch(  $\mu$ )]  
 1. Nickel Plating (Under Plating)  
 2. Gold Plating Thk.:  $2 \mu$ " max. (Over Finish 1)

**Notes :**  
 1. Any Electrical, Mechanical or Environmental Test Per MIL-PRF-39012F Should be Spotlighted, As We May Not Have All Testing Equipment to Cover All of It.  
 2. All Metal Materials Are in Compliance with RoHS 2 Directive 2011/65/EU Annex III Section 6 Paragraph.

**Table 1**

DWG.NO.	Attenuation	Accuracy
SM AT 003AN1001	-1dB	$\pm 0.3$ dB
SM AT 003AN1002	-2dB	$\pm 0.3$ dB
SM AT 003AN1003	-3dB	$\pm 0.3$ dB
SM AT 003AN1004	-4dB	$\pm 0.3$ dB
SM AT 003AN1005	-5dB	$\pm 0.3$ dB
SM AT 003AN1006	-6dB	$\pm 0.3$ dB
SM AT 003AN1007	-7dB	$\pm 0.3$ dB
SM AT 003AN1008	-8dB	$\pm 0.3$ dB
SM AT 003AN1009	-9dB	$\pm 0.3$ dB
SM AT 003AN1010	-10dB	$\pm 0.5$ dB
SM AT 003AN1015	-15dB	$\pm 0.5$ dB
SM AT 003AN1020	-20dB	$\pm 1.0$ dB
SM AT 003AN1030	-30dB	$\pm 1.0$ dB



**Electrical :**

Impedance : 50 ohm  
 Frequency Range : 0-3 GHz  
 VSWR : 1.2 max  
 Input Power : 1W

**Mechanical :**

Mating : 5/8-24 UNEF Screw-on

**Environmental :**

Temperature Range : -30°C to 70°C

5	Female Contact	BeCu	Finish 1/2		
4	Male Contact	Brass	Finish 1/2		
3	Insulator	PTFE	None		
2	Body	Brass	Finish 2		
1	Shell	Brass	Finish 2		
ITEM	Description	Material	Finish	Part Number	QTY

\*RoHS and REACH are fully complied to create a greener planet for future generations.

TOLERANCE		
SCALE	UNIT mm	
DRAW Walter	DATE 12.22.15	TITLE SM AT 003ANxxxx
CHECK Obst	REV	
		DESCRIPTION N Plug to Jack Attenuator