

The connector series for : RM2,54 - SM C02 3001/ RM2,00 - SM C02 9200 / RM1,27 - SM C02 3007

SM C02 3001 : The matching cable is SM C01 0801

SM C02 9200 : The matching cable is SM C01 0802

SM C02 3007 : The matching cable is SM C01 0803

There are 6 different type of Assembly Style, see FOLLOWING PAGES

Notes:

1. Electrical Characteristics:

- 1. 1 Contact Resistance: 20mΩ Max
- 1. 2 Dielectric Withstanding Voltage: 600V AC(rms) for 1 Minute
- 1. 3 Insulation Resistance: 1000mΩ Min
- 1. 4 Current Rating: 3A
- 1. 5 Voltage Rating: 250V AC rms

2. Environment Characteristics:

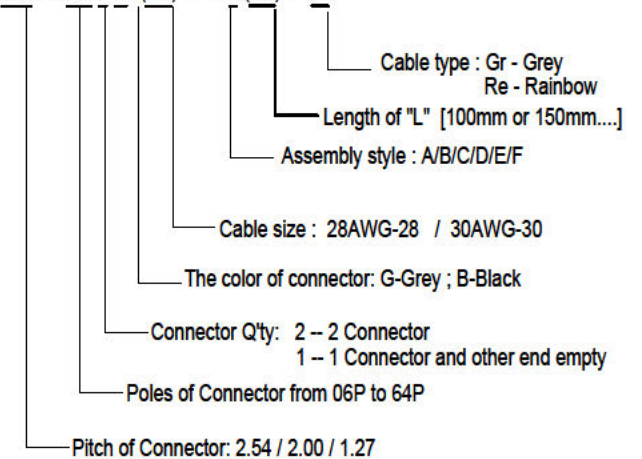
- 2. 1 Temperature: -40°C ~ +105°C

3. Materials:

- 3. 1 Contact Materials: Copper Alloy
- 3. 2 Contact Plating: Tin or Gold plate
- 3. 3 Insulator Materials: PBT, Black, UL94V-0

How to Order:

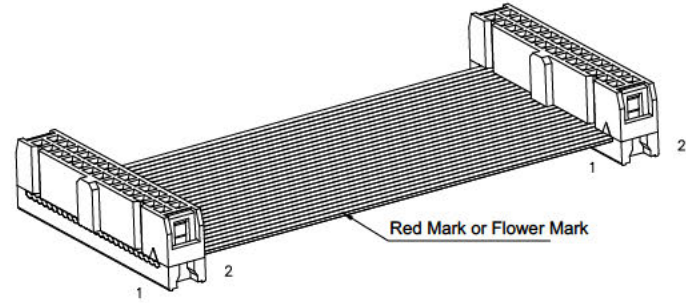
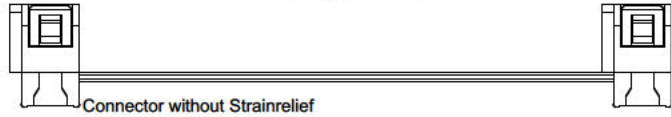
SM C01 RC5 - X.XX- XX X X (XX) - X - (XX) - XX



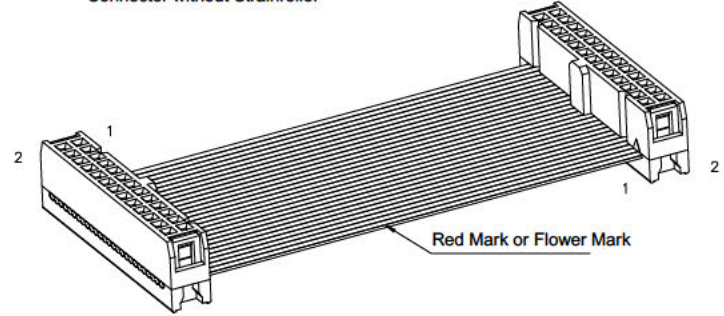
REV.: 01	UNIT.: mm	SCALE.: 1:1	PAGE.: 1/1		GENERAL TOLERANCE		DESIGN:	DATE: 2020.02.28	DWG. NO.: SM C01 RC5	TITLE: Flat Cable Assembly, Pitch 2.54/2.00/1.27
					X.* ± 5.0°	X. ± 0.30	CHECK:	DATE: 2020.03.02		
					.X* ± 3.0°	.X ± 0.25	AUDIT:	DATE: 2020.03.02	PART NO.: SM C01 RC5-X.XX-XXXX(X)-X-(X)-XX	Connector without Strain relief
					.XX* ± 2.0°	.XX ± 0.15	APPROVE:	DATE: 2020.03.02		
					.XXX* ± 1.0°	.XXX ± 0.10				

There are 6 different type of Assembly Style, see below remark:

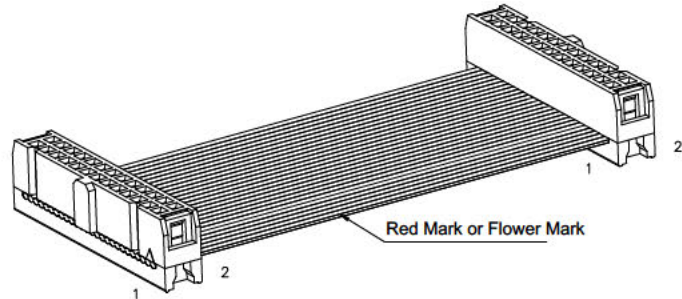
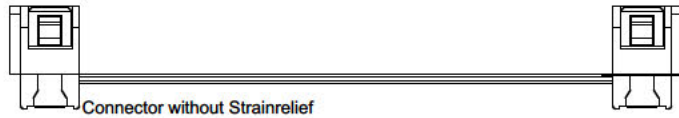
[Type A]



[Type B]



[Type F]



SCHMID-M

GENERAL TOLERANCE

X.* ± 5.0°	X. ± 0.30
.X* ± 3.0°	.X ± 0.25
.XX* ± 2.0°	.XX ± 0.15
.XXX* ± 1.0°	.XXX ± 0.10

DESIGN:

CHECK:

AUDIT:

APPROVE:

DATE: 2020.02.28

DATE: 2020.03.02

DATE: 2020.03.02

DATE: 2020.03.02

DWG. NO.:

SM C01 RC5

PART NO.:

SM C01 RC5-X.XX-XXXX(XX)-X-(XX)-XX

TITLE:

Flat Cable Assembly, Pitch 2.54/2.00/1.27
Connector without Strain relief

REV.: 01	UNIT.: mm	SCALE.: 1:1	PAGE.: 1/1
--------------------	---------------------	-----------------------	----------------------



F

E

D

C

B

A

F

E

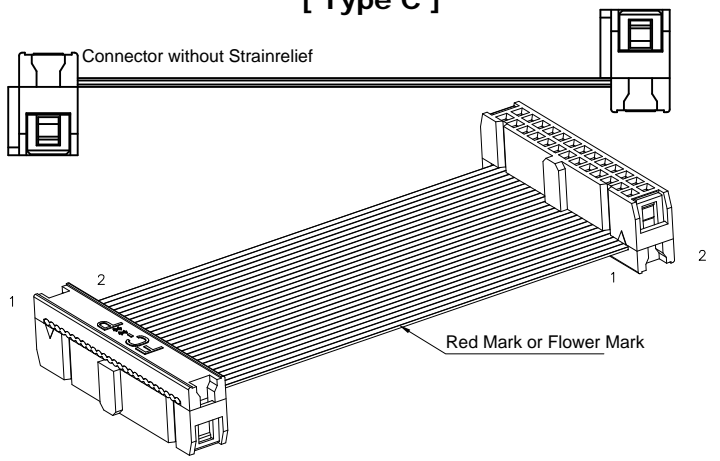
D

C

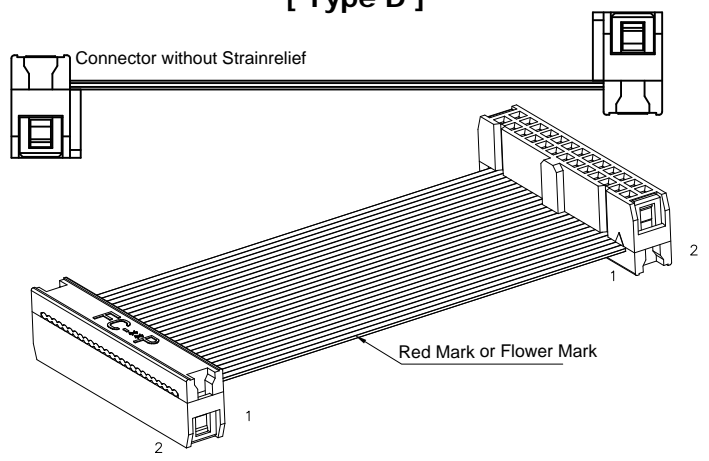
B

A

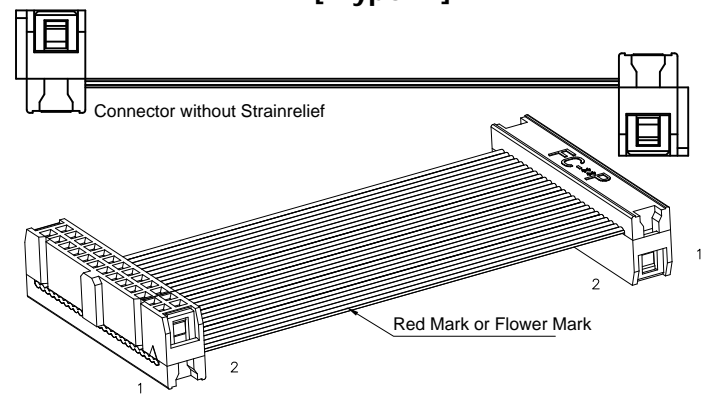
[Type C]



[Type D]



[Type E]



GENERAL TOLERANCE	
X.* ± 5.0°	X. ± 0.30
.X* ± 3.0°	.X ± 0.25
.XX* ± 2.0°	.XX ± 0.15
.XXX* ± 1.0°	.XXX ± 0.10

DESIGN:	DATE: 2020.02.28
CHECK:	DATE: 2020.03.02
AUDIT:	DATE: 2020.03.02
APPROVE:	DATE: 2020.03.02

DWG. NO.:	SM C01 RC5
PART NO.:	SM C01 RC5-X.XX-XXXX(XX)-X-(XX)-XX

TITLE:	Flat Cable Assembly, Pitch 2.54/2.00/1.27
	Connector without Strain relief

REV.:	UNIT.:	SCALE.:	PAGE.:	
01	mm	1:1	1/1	