

The connector series for : RM2,54 - SM C02 3001/ RM2,00 - SM C02 9200 / RM1,27 - SM C02 3007

SM C02 3001 : The matching cable is SM C01 0801

SM C02 9200 : The matching cable is SM C01 0802

SM C02 3007 : The matching cable is SM C01 0803

There are 6 different type of Assembly Style, see FOLLOWING PAGES

**Notes:**

**1. Electrical Characteristics:**

- 1. 1 Contact Resistance: 20mΩ Max
- 1. 2 Dielectric Withstanding Voltage: 600V AC(rms) for 1 Minute
- 1. 3 Insulation Resistance: 1000mΩ Min
- 1. 4 Current Rating: 3A
- 1. 5 Voltage Rating: 250V AC rms

**2. Environment Characteristics:**

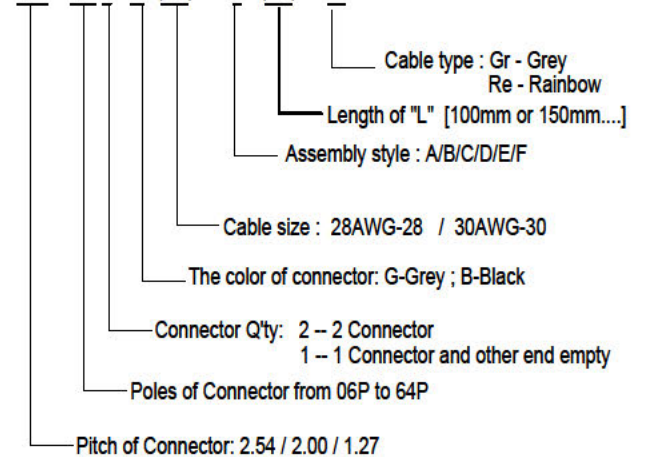
- 2. 1 Temperature: -40°C ~ +105°C

**3. Materials:**

- 3. 1 Contact Materials: Copper Alloy
- 3. 2 Contact Plating: Tin or Gold plate
- 3. 3 Insulator Materials: PBT, Black, UL94V-0

**How to Order:**

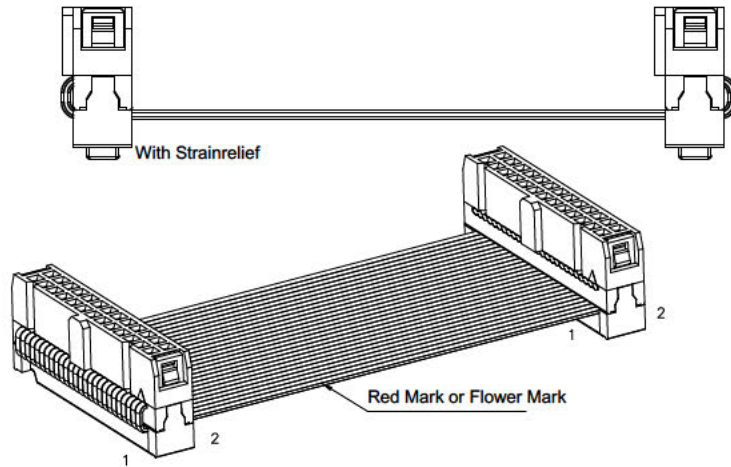
SM C01 RC5B - X.XX- XX X X (XX) - X - (XX) - XX



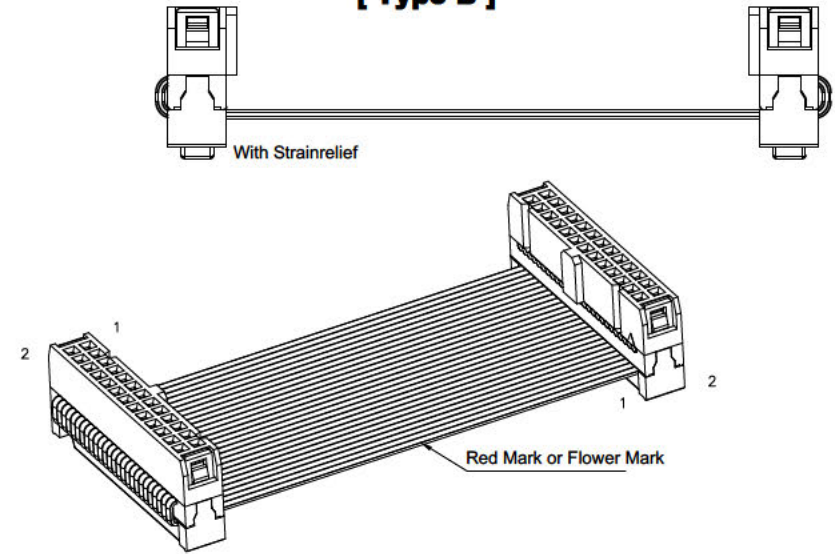
<b>REV.:</b> 01	<b>UNIT.:</b> mm	<b>SCALE.:</b> 1:1	<b>PAGE.:</b> 1/1		<b>GENERAL TOLERANCE</b>		<b>DESIGN:</b>	<b>DATE:</b> 2020.02.28	<b>DWG. NO.:</b> SM C01 RC5B	<b>TITLE:</b> Flat Cable Assembly, Pitch 2.54/2.00/1.27 Connector with Strain relief
					X.* ± 5.0°	X. ± 0.30	<b>CHECK:</b>	<b>DATE:</b> 2020.03.02		
					.X* ± 3.0°	.X ± 0.25	<b>AUDIT:</b>	<b>DATE:</b> 2020.03.02		
					.XX* ± 2.0°	.XX ± 0.15	<b>APPROVE:</b>	<b>DATE:</b> 2020.03.02		
					.XXX* ± 1.0°	.XXX ± 0.10	<b>PART NO.:</b> SM C01 RC5B-X.XX-XXXX(XX)-X-(XX)-XX			

There are 6 different type of Assembly Style, see below remark:

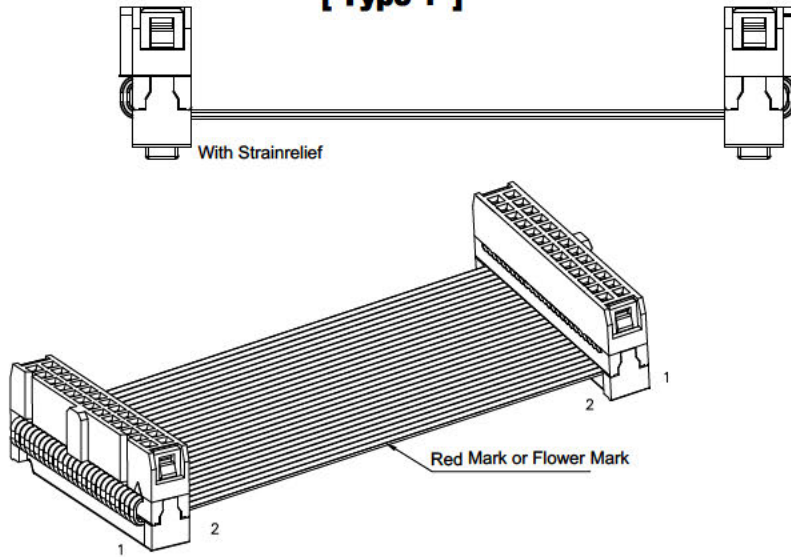
**[ Type A ]**



**[ Type B ]**



**[ Type F ]**



**SCHMID-M**

**GENERAL TOLERANCE**

X.* ± 5.0°	X. ± 0.30
.X* ± 3.0°	.X ± 0.25
.XX* ± 2.0°	.XX ± 0.15
.XXX* ± 1.0°	.XXX ± 0.10

**DESIGN:**

**CHECK:**

**AUDIT:**

**APPROVE:**

**DATE:** 2020.02.28

**DATE:** 2020.03.02

**DATE:** 2020.03.02

**DATE:** 2020.03.02

**DWG. NO.:**

SM C01 RC5B

**PART NO.:**

SM C01 RC5B-X.XX-XXXX(XX)-X-(XX)-XX

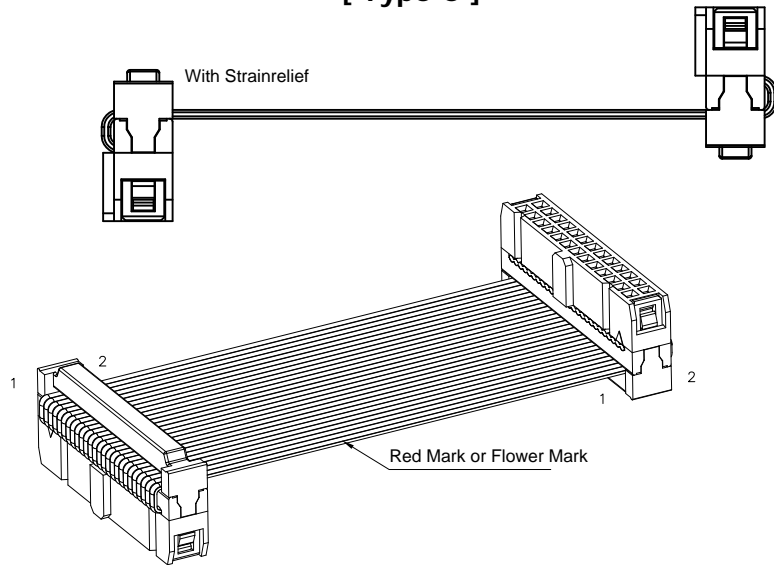
**TITLE:**

Flat Cable Assembly, Pitch 2.54/2.00/1.27  
Connector with Strain relief

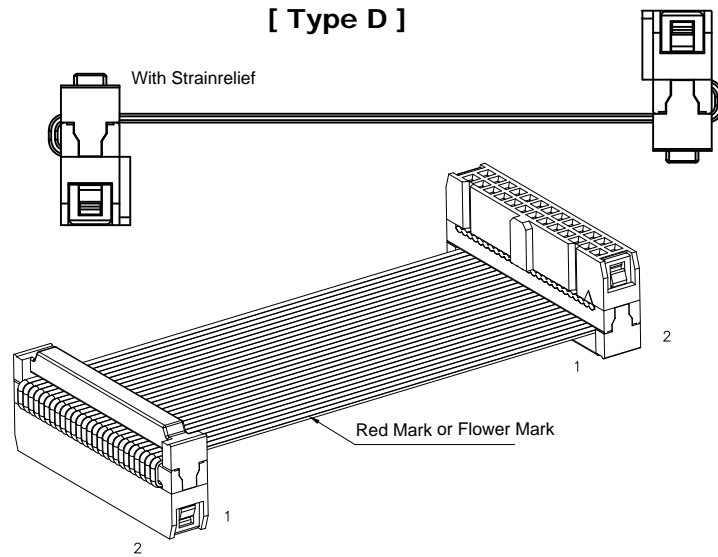
<b>REV.:</b> 01	<b>UNIT.:</b> mm	<b>SCALE.:</b> 1:1	<b>PAGE.:</b> 1/1
--------------------	---------------------	-----------------------	----------------------



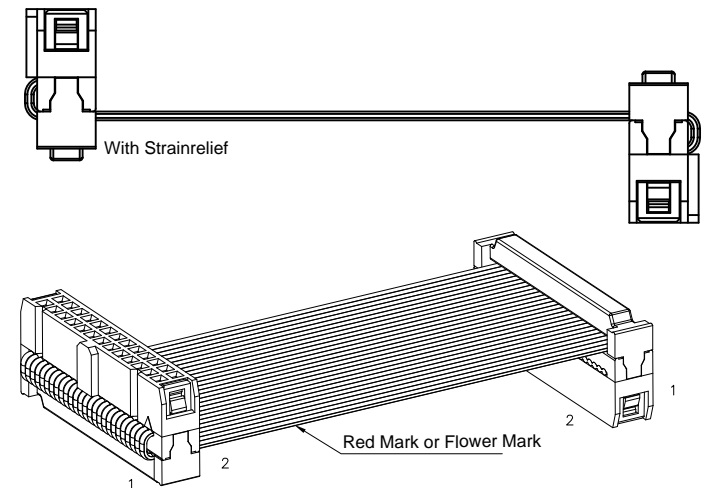
[ Type C ]



[ Type D ]



[ Type E ]



**SCHMID-M**

GENERAL TOLERANCE	
X.* ± 5.0°	X. ± 0.30
.X* ± 3.0°	.X ± 0.25
.XX* ± 2.0°	.XX ± 0.15
.XXX* ± 1.0°	.XXX ± 0.10

DESIGN:  
CHECK:  
AUDIT:  
APPROVE:

DATE: 2020.02.28  
DATE: 2020.03.02  
DATE: 2020.03.02  
DATE: 2020.03.02

DWG. NO.: SM C01 RC5B  
PART NO.: SM C01 RC5B-X.XX-XXXX(X)-X-(XX)-XX

TITLE:  
Flat Cable Assembly, Pitch 2.54/2.00/1 27  
Connector with Strain relief

REV.: 01 UNIT.: mm SCALE.: 1:1 PAGE.: 1/1

