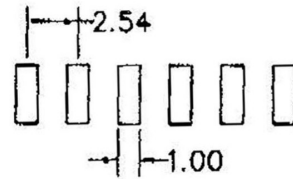
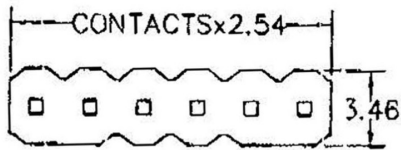


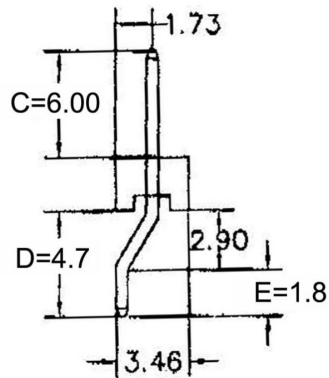
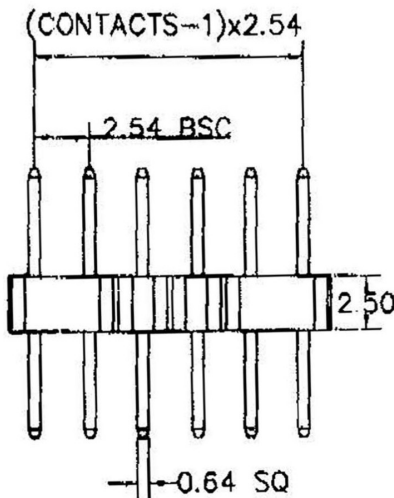
1 2 3 4 5 6 7 8

A
B
C
D
E
F
G
H

A
B
C
D
E
F
G
H



RECOMMENDED P.C.B LAYOUT



CONTACTS	
1X3	1X22
1X4	1X23
1X5	1X24
1X6	1X25
1X7	1X26
1X8	1X27
1X9	1X28
1X10	1X29
1X11	1X30
1X12	1X31
1X13	1X32
1X14	1X33
1X15	1X34
1X16	1X35
1X17	1X36
1X18	1X37
1X19	1X38
1X20	1X39
1X21	1X40

MATERIAL
HOUSING : THERMOPLASTIC UL94V-0
CONTACT : COPPER ALLOYS

SPECIFICATION
CURRENT: 3A
OPERATING TEMPERATURE: -55°C TO +105°C
CONTACT RESISTANCE : 20 MILLIOHMS MAX
INSULATION RESISTANCE : 1000 MEGAOHMS MIN
WITHSTANDING VOLTAGE: AC 1000V RMS

RoHS Compliant		SCHMID-M	
APPD. Helen	SCALE	TOLERANCE .0 ±0.38 .00 ±0.25 ANG. ±5°	PART NAME 2.54mm PIN HEADER SINGLE ROW HORIZONTAL SMT TYPE H=3.46mm XXP PLATING (C=6mm D=4.7mm E=1.8mm) W/O LOCATING PEG ROHS LOW-LEAD
DWG.	UNIT M M	SIZE A 4	PART NO. SM C02 2104 XXA
DATE 2008/04/11	PAGE 1 OF 1	REV. A	

1 2 3 4 5 6 7 8