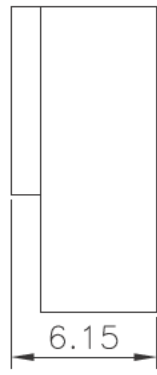
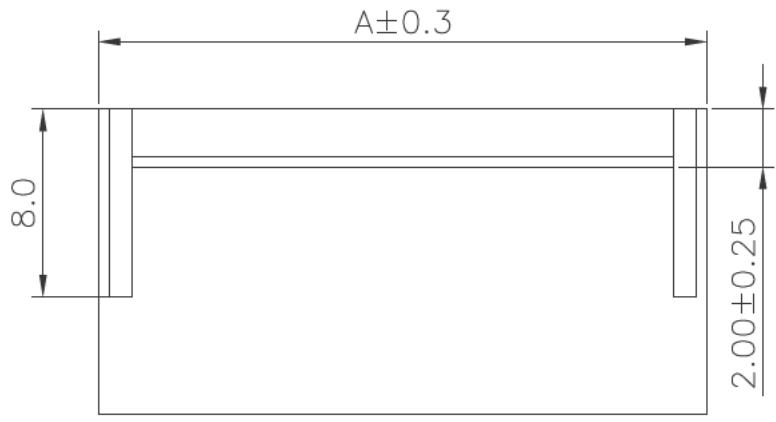
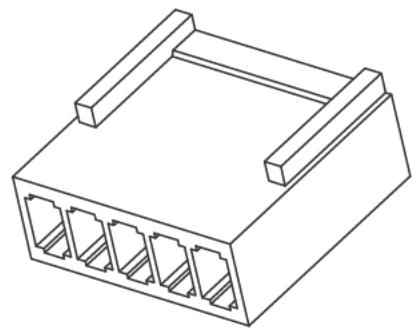
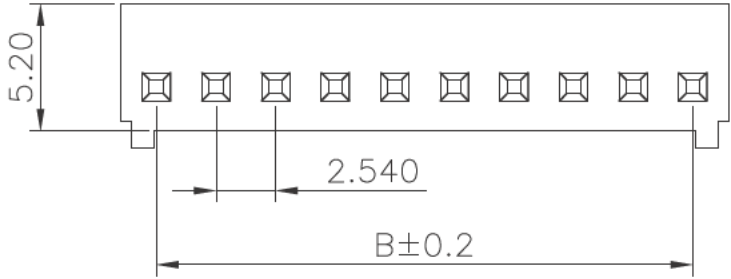


◆ SPECIFICATIONS

- Current rating: 4A AC, DC
- Voltage rating: 250V AC, DC
- Temperature range: -25°C ~ +85°C
- Insulation resistance: 1000MΩ Min.
- Withstanding voltage: 1000V AC/ minute.
- Contact resistance: 10mΩ Max.

Material :Nylon66 UL94V-0

| Part No. | Dimensions |       |
|----------|------------|-------|
|          | A          | B     |
| 02 P     | 5.63       | 2.54  |
| 03 P     | 8.17       | 5.08  |
| 04 P     | 10.71      | 7.62  |
| 05 P     | 13.25      | 10.16 |
| 06 P     | 15.79      | 12.70 |
| 07 P     | 18.33      | 15.24 |
| 08 P     | 20.87      | 17.78 |
| 09 P     | 23.41      | 20.32 |
| 10 P     | 25.95      | 22.86 |
| 11 P     | 28.49      | 25.40 |
| 12 P     | 31.03      | 27.94 |
| 13 P     | 33.57      | 30.48 |
| 14 P     | 36.11      | 33.02 |
| 15 P     | 38.65      | 35.56 |



|   |  |  |  |            |  |        |  |                 |  |      |                  |        |             |      |          |   |  |  |  |                   |  |          |  |      |  |        |  |  |
|---|--|--|--|------------|--|--------|--|-----------------|--|------|------------------|--------|-------------|------|----------|---|--|--|--|-------------------|--|----------|--|------|--|--------|--|--|
| <table border="1"> <tr><td>④</td><td></td><td></td><td></td></tr> <tr><td>③</td><td></td><td></td><td></td></tr> <tr><td>②</td><td></td><td></td><td></td></tr> <tr><td>①</td><td></td><td></td><td></td></tr> </table> |  |  |  | ④          |  |        |  | ③               |  |      |                  | ②      |             |      |          | ① |  |  |  | GENERAL TOLERANCE |  | UNIT: mm |  | DATE |  | TITLE: |  |  |
| ④   |  |  |  |            |  |        |  |                 |  |      |                  |        |             |      |          |   |  |  |  |                   |  |          |  |      |  |        |  |  |
| ③   |  |  |  |            |  |        |  |                 |  |      |                  |        |             |      |          |   |  |  |  |                   |  |          |  |      |  |        |  |  |
| ②   |  |  |  |            |  |        |  |                 |  |      |                  |        |             |      |          |   |  |  |  |                   |  |          |  |      |  |        |  |  |
| ①   |  |  |  |            |  |        |  |                 |  |      |                  |        |             |      |          |   |  |  |  |                   |  |          |  |      |  |        |  |  |
| LTR   |  |  |  | NAME       |  | DATE   |  | VERISION RECORD |  |      | SM C03 2510 XX H |        |             |      |          |   |  |  |  |                   |  |          |  |      |  |        |  |  |
|   |  |  |  | .X ±0.30   |  | X° ±1° |  | DRAWN:          |  |      |                  |        |             |      |          |   |  |  |  |                   |  |          |  |      |  |        |  |  |
|   |  |  |  | .XX ±0.20  |  | .X° ±  |  | CHECKED:        |  | VER. |                  | SCALE: | N/A         | PROJ | PART NO. |   |  |  |  |                   |  |          |  |      |  |        |  |  |
|   |  |  |  | .XXX ±0.10 |  | .XX° ± |  | APPROVED:       |  | A    | SHEET:           | 1/1    | DRAWING NO. |      |          |   |  |  |  |                   |  |          |  |      |  |        |  |  |

