

1 2 3 4 5 6 7 8

A A

B B

C C

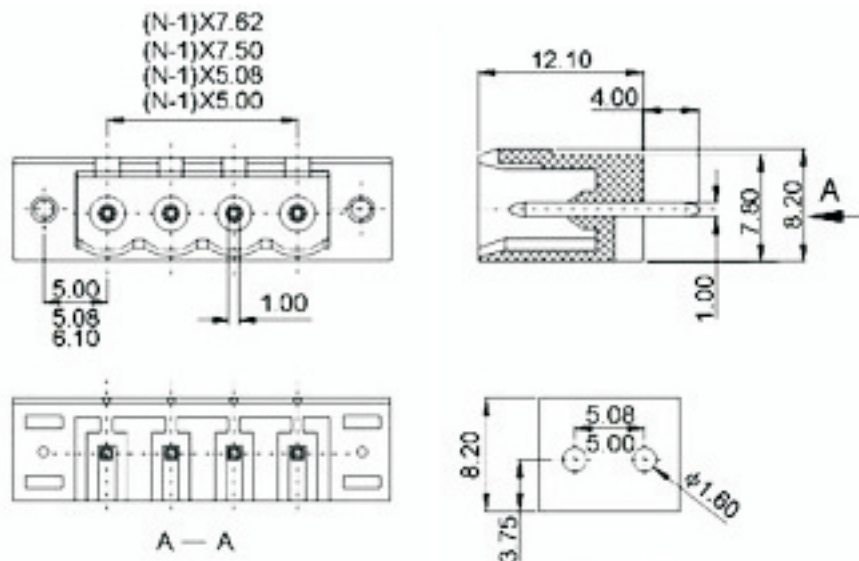
D D

E E

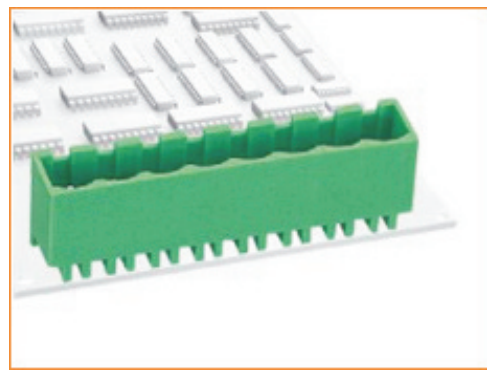
F F

G G

H H



| | | |
|----------------------|-------------------------------|------|
| Standard | UL | VDE |
| Rated voltage | 300V | 320V |
| Rated current | 15A | 20A |
| Withstanding voltage | AC2500V/1Min | |
| Ambient temperature | (-)40°C to +105°C | |
| Pitch | 5.00/5.08/7.50/7.62mm (.197") | |
| Poles | 2P, 3P --- Any poles | |
| Housing | PA66, UL94V-0 | |
| Solder Pins | Brass, Tin plated | |



| | | | |
|-------------------------------------|---|--|--|
| RoHS Compliant | | | |
| APPD. DWG. HELGA DATE 2013/10 | TOLERANCE XX ± 0.25 XX ± 0.36 ANG. ± | PART NAME Pluggable Terminal Block PCB Straight 5,00mm Green XX: No. Poles | |
| UNIT M M PAGE 1 OF 1 | SIZE. A 4 REV. C | PART NO. SM C09 0503 XX SOC | |

1 2 3 4 5 6 7 8