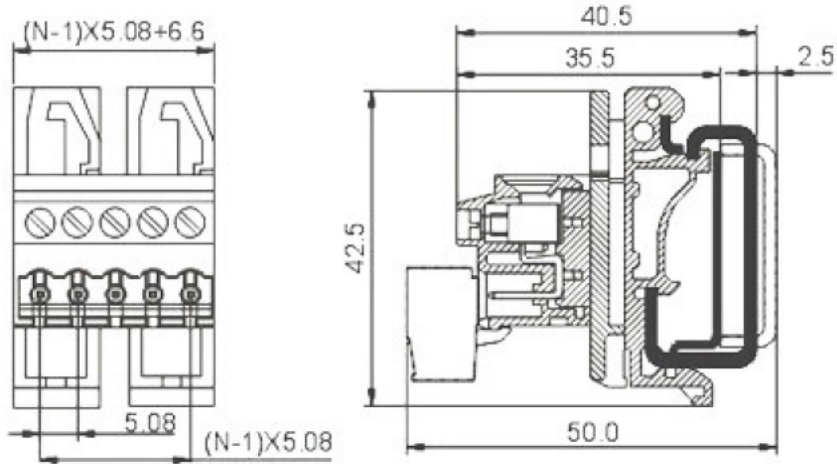






Standard	UL	VDE
Rated voltage	300V	320V
Rated current	15A	20A
Wire range	28-12AWG	2.5mm ²
Withstanding voltage	AC2500V/1Min	
Ambient temperature	-40°C~+105°C	
Strip length	7mm	
Torque	0.4Nm(3.5Lb-In.)	
Pitch	5.00 / 5.08 mm(.197")	
Poles	2P , 3P --Any poles	
Housing	PA66,UL94V-0	
Screws	M2.5,steel,Cr ³⁺ Zn plated	
Wire Cage	Brass, Ni plated	
Contact Cage	Brass, Ni plated	



XX - No. of Poles

TOLERANCE		
SCALE	UNIT mm	
DRAW Walter	DATE 2015-06-08	TITLE
CHECK Konrad	REV	SM C09 05814 XX YOC
		DESCRIPTION
		Pluggable Terminal Block Wire Cage RM5,08mm; DIN