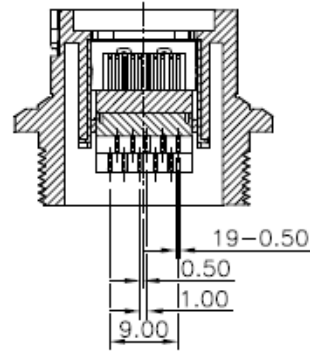
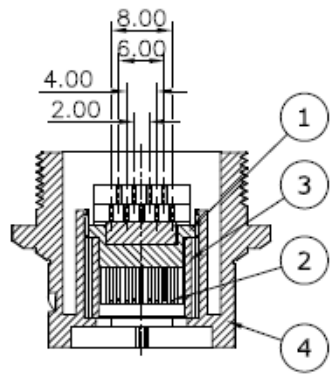
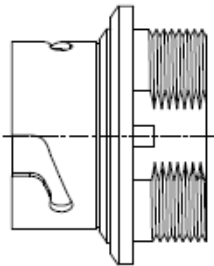
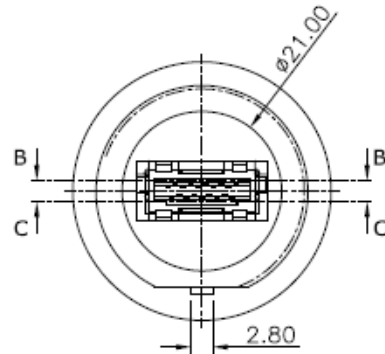
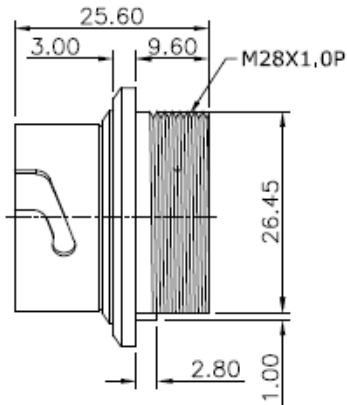
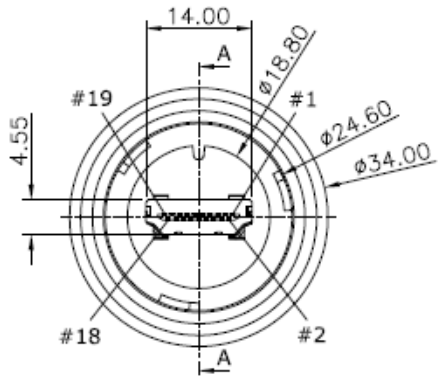


SECTION A-A



SECTION B-B





SECTION C-C

4	BODY	PBT, UL94V-0,Black
3	SHELL	Brass
2	CONTACT	Phosphor Bronze, 15u"Gold plating on contact area, Tin plating on solder tail,under plated Nickel
1	HOUSING	LCP, UL94V-0,Black
NO	PART NAME	DESCRIPTION

SPECIFICATION:

- 1.1 Current Rating: 0.5A per pin
- 1.2 Voltage Rating: 40V AC
- 1.3 Water Proof: IPX7
- 1.4 Operation Temperature: -20°C to +85°C

TOLERANCE		
SCALE Vanda	UNIT mm	
DRAW Walter	DATE 8.8.2018	TITLE
CHECK	REV	<b>SM C10 222A 19 HDMI A WP</b>
		DESCRIPTION
		HDMI A Type Receptacle Waterproof Solder Type; 15u"