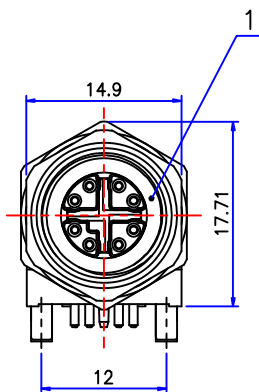
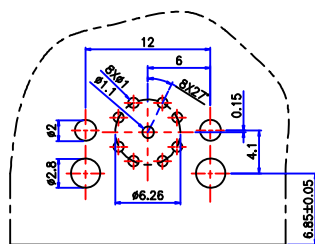
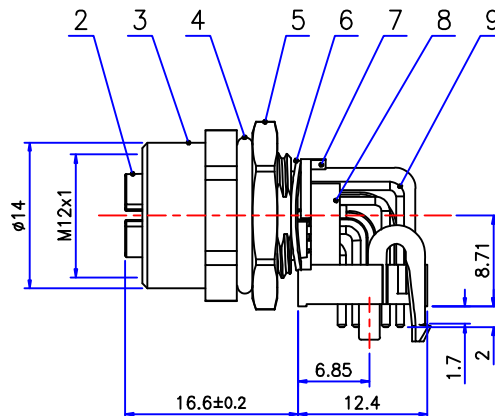


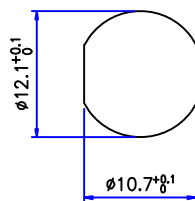
VIEW A



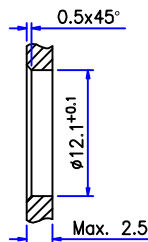
A



PCB layout



Panel Cut-out



General Specifications

Connector locking system: Screw
 Termination: Dip solder
 Type: Right angled
 Temperature range: -25°C ~ +85°C
 Mating cycles: > 100
 Coding: X
 Degree of protection: IP67 when mated

Rated voltage: 60V AC/DC
 Rated current: 0.5A
 Contact resistance: ≤5 mΩ
 Insulation resistance: 100 MΩ

All materials are RoHS compliant

9	M12 X Coding Right angled Female Contact CuSn Gold Plated: 3μ	pc	8
8	plastic shell, PA+GFblack	pc	1
7	Shielding shell,Zinc die, nickel plated S-144	pc	1
6	φ12Xφ8X0.3,Corrugated gasket	pc	1
5	M12X1 Nut,brass nickel plated	pc	1
4	φ12Xφ9X1.5 O ring NBR black	pc	1
3	M12 Female connector,brass nickel plated S-143	pc	1
2	M12 X Coding Female insert, PA+GF black	pc	1
1	φ9Xφ6X1.5 O ring NBR black	pc	1
No.	Specification	Unit	Q'ty

-TOLERANCES- UNLESS OTHERWISE SPECIFIED	SCHMID-M				
	PART DESCRIPTION: M12 X coding 8Pin female right angle PCB socket				
UNLESS OTHERWISE SPECIFIED TOLERANCES FOR MILLIMETERS ARE: 0.5 - 8mm ± 0.10mm 8 - 30mm ± 0.15mm 30 - 120mm ± 0.20mm	Appr:	P/N: SM C10 PF12-634-8pin-X-PCB			
	Check:	Date	Scale	Unit	Type
	Draw:	2019. 12. 17	Free	MM	Z
					Page
					1/1