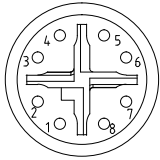
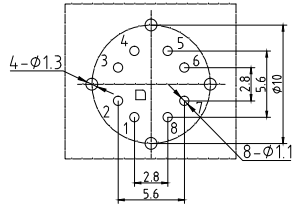


FEMALE END VIEW

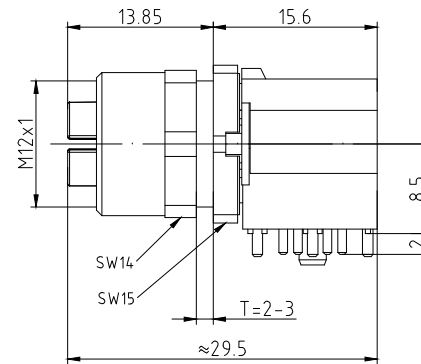
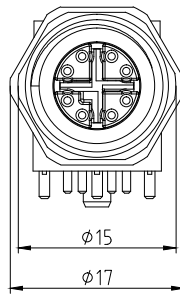


BOARD LAYOUT



SPECIFICATION

CONTACT CARRIER MATERIAL/COLOR	PA/BLACK
CONTACT MATERIAL/PLATING	BRASS/GOLDEN
COUPLING NUT MATERIAL/PLATING	BRASS/NICKEL
O-RING MATERIAL	NBR
RATED CURRENT (A)	0.5 A
RATED VOLTAGE (V)	60 V
OPERATING TEMPERATURE	-40°C — +85°C
PROTECTION CLASS	IP67



**SCHMID-M**

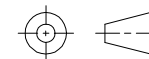
Date: 2017.8.1

Description:

Scale: 1:1

**SM C10 PF12-81-8pin-X-PCB**

3RD Angle Projection



Unit of Measurement:

MILLIMETER

REV  
A