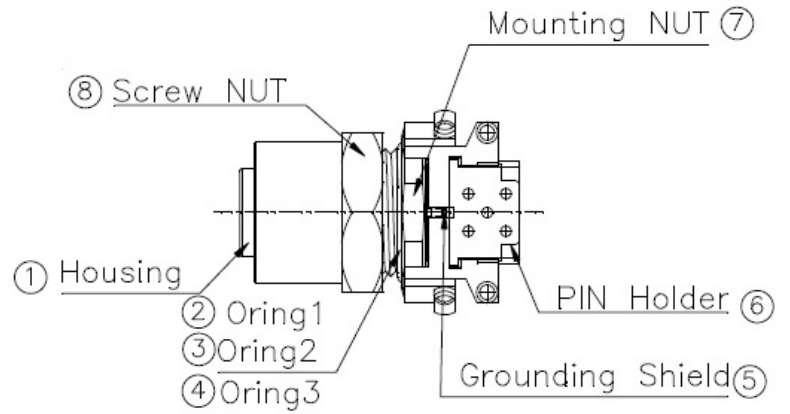


RoHS COMPLIANT



Glue			
Contact Terminals	Brass	Gold Ptd.	4
Screw NUT	Brass	Nickel Ptd.	1
Mounting NUT	Brass	Nickel Ptd.	1
PIN Holder	PBT	Black	1
Grounding Shield	Brass	Nickel Ptd.	1
O-Ring1,2,3	EPDM/NBR	Black	1
Housing	PBT	Black	1
Description	Material	Treat	Q'ty

TOLERANCE		SCHMID-M
SCALE	UNIT mm	
DRAW Johnson	DATE 22.4.2021	TITLE
CHECK	REV	SM C10 PF12-S44-FF4002-D-Code-R/A
		DESCRIPTION
		M12 D-Code Receptacle, 4Pin, Female, R/A DIP Type Front Fastened