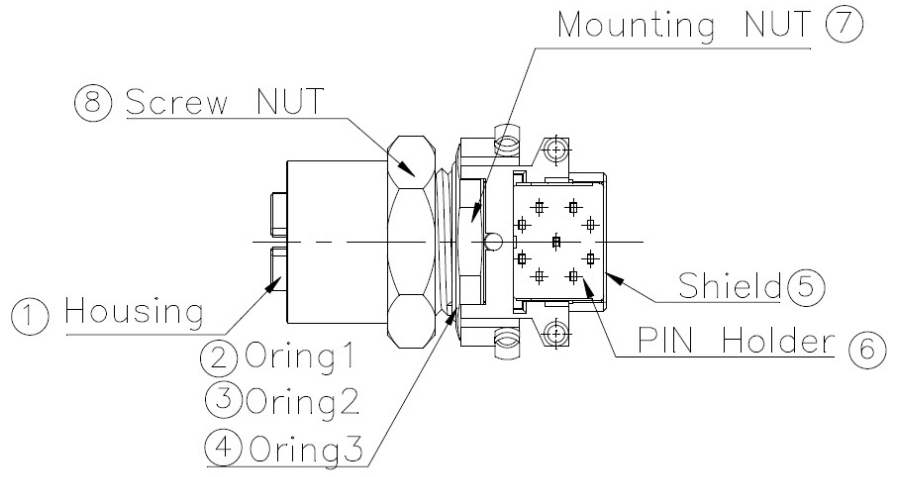
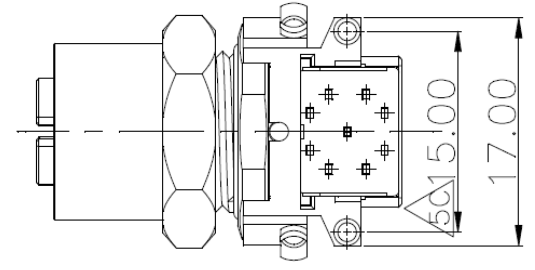
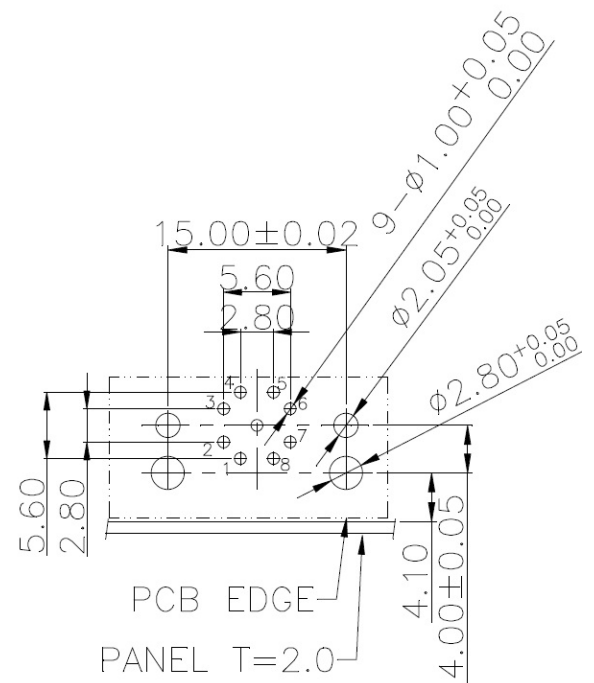
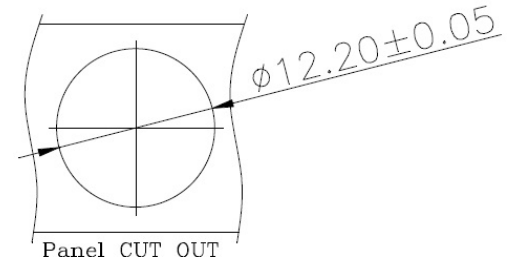
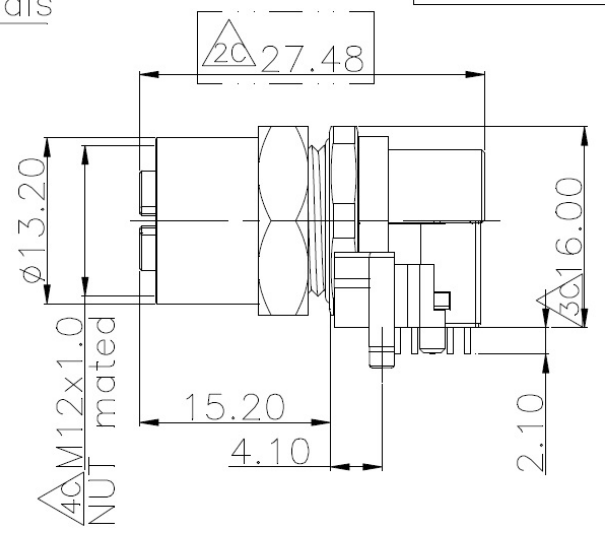
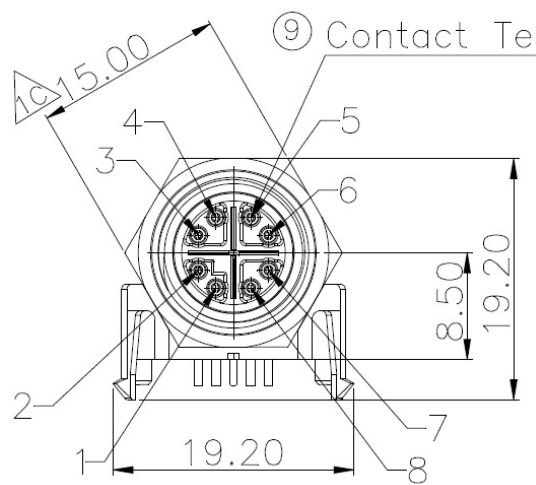


RoHS COMPLIANT



Description	Material	Treat	Q'ty
Glue			
Contact Terminals	Phosphor	Gold Ptd.	8
Screw NUT	Brass	Nickel Ptd.	1
Mounting NUT	Brass	Nickel Ptd.	1
PIN Holder	PBT	Black	1
Shield	Brass	Nickel Ptd.	1
O-Ring 1,2,3	EPDM/NBR	Black	1
Housing	PBT	Green	1

TOLERANCE		
SCALE	UNIT mm	
DRAW Marco	DATE 30.2.2021	TITLE
CHECK	REV	SM C10 PF12-S88-FF4003-X-Code-RA
		DESCRIPTION
		M12 X-Code Receptacle, 8Pin, Female, R/A DIP Type Front Fastened