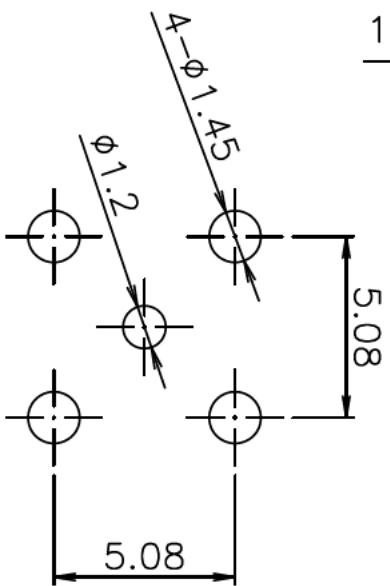
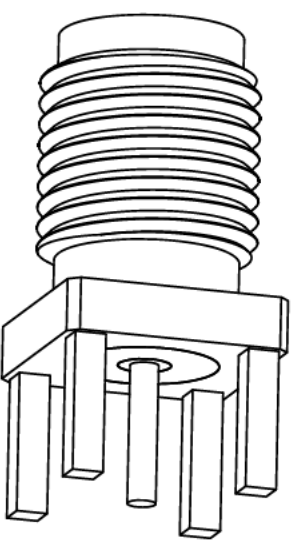
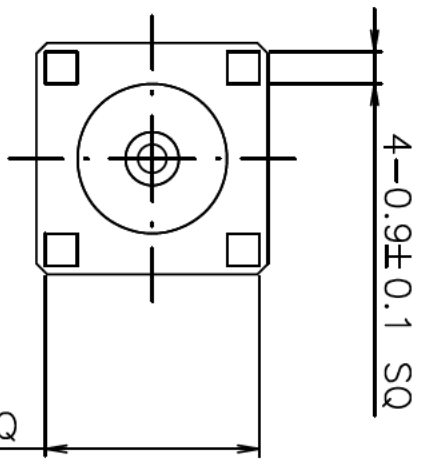
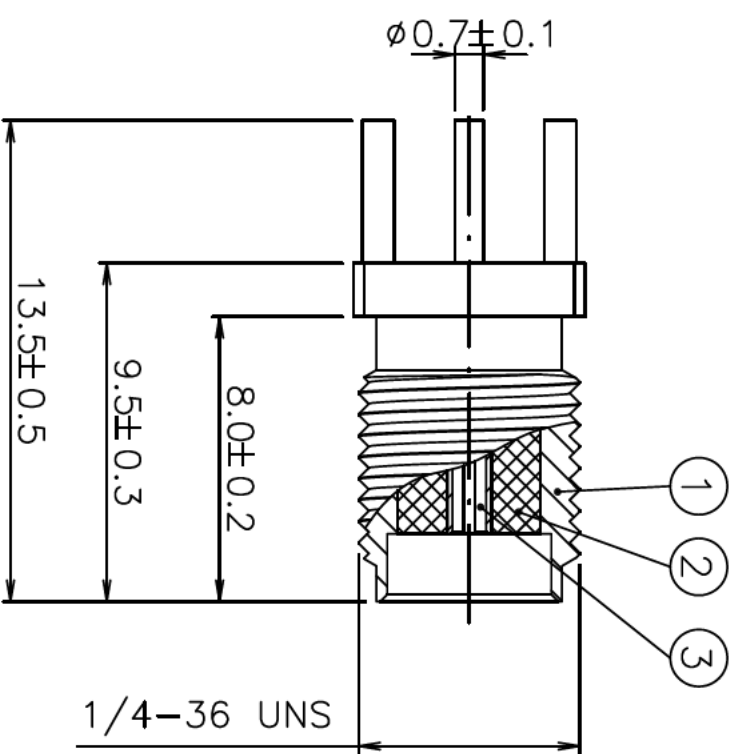
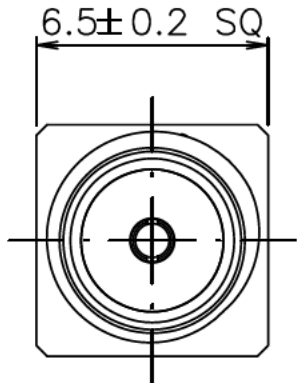


NOTE: SMA FEMALE TO PCB



P.C.B. LAYOUT

|   |          |             |
|---|----------|-------------|
| 3 | brass    | gold        |
| 2 | teflon   |             |
| 1 | brass    | gold plated |
|   | material |             |

|                 |                |         |            |
|-----------------|----------------|---------|------------|
| <b>SCHMID-M</b> |                |         |            |
| APPROVED        | GLAZE          | DRAWING | DESIGN     |
|                 |                | X.H.B   | X.H.B      |
| TITLE           | PART NO.       | UNITS   | SCALE      |
|                 | SMA-52011m-TGG | mm      | 5:1        |
| GLAZE           | DRAWING NO.    | SYE     | DATE       |
|                 |                | △       | 2016/12/12 |
| MATERIAL        |                | REV.    |            |
|                 |                | A       |            |