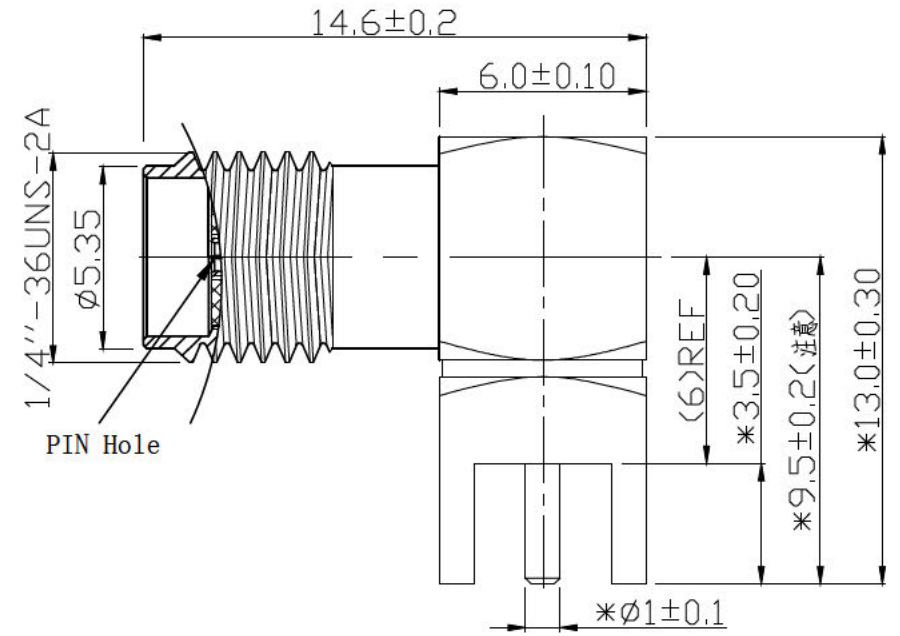
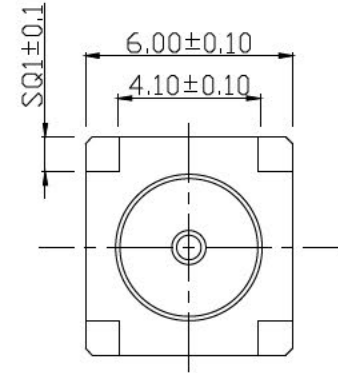


| REV | DATE | DESCRIPTION |
|-----|------------|-------------|
| X1 | 07/19-2021 | New Issue |



1. Electrical Characteristics
 - 1.1 Impedance: 50 Ohm
 - 1.2 Working Frequency: DC - 3 GHz
 - 1.3 S.W.R. : ≤ 1.5
 - 1.4 Working Voltage: 335V / max
 - 1.5 Insulation Resistance: 1000 Mohm
 - 1.6 Contact Resistance: Center Contact: 5 mohm
 - 1.7 Outer Contact: ≤ 2.5 mohm
2. Environmental
 - 2.1 Working Temperature Range: - 55 ° C ~ +125° C
 - 2.2 Salt spray test: 48H
3. These Products are in conformity with ROHS 2.0
4. The dimensions with "*" should be strictly control



| Nr. | Part Name/Specification | Material | Qua |
|-----|-------------------------|--------------------|-----|
| 5 | INSULATOR 2 | PTFE WHITE | 1 |
| 4 | BOBY 2 | BRASS GOLD-PLATING | 1 |
| 3 | CENTER PIN | BRASS GOLD-PLATING | 1 |
| 2 | INSULATOR 1 | PTFE WHITE | 1 |
| 1 | BOBY 1 | BRASS GOLD-PLATING | 1 |

CUSTOMER'S SIGNATURE

| | | |
|------|------|----------|
| XXX. | ±3.0 | APPROVED |
| XX. | ±1.0 | |
| X. | ±0.5 | CHECKED |
| .X | ±0.3 | |
| .XX | ±0.1 | DRAWING |

| | | |
|---------------------------------|------|------------|
| CUSTOMER: | | |
| PART NO: | | |
| PART NAME: SMA JACK R/A FOR PCB | | |
| P/N0: SMA-52025s-TGG | | |
| REV | UNIT | FILE: |
| X1 | mm | SHEET: 1/1 |

