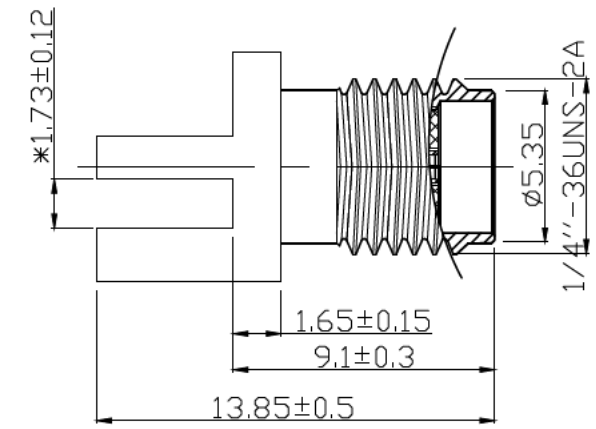
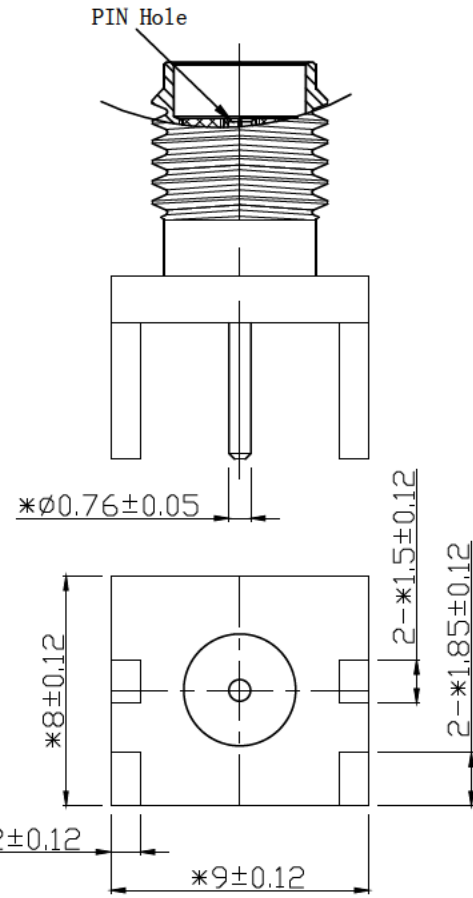


REV	DATE	DESCRIPTION
X1	07/19-2021	New Issue



1. Electrical Characteristics
  - 1.1 Impedance: 50 Ohm
  - 1.2 Working Frequency: DC - 3 GHz
  - 1.3 S.W.R. : ≤ 1.5
  - 1.4 Working Voltage: 335V / max
  - 1.5 Insulation Resistance: 1000 Mohm
  - 1.6 Contact Resistance: Center Contact: 5 mohm
  - 1.7 Outer Contact: ≤ 2.5 mohm
2. Environmental
  - 2.1 Working Temperature Range: - 55 ° C ~ +125° C
  - 2.2 Salt spray test: 48H
3. These Products are in conformity with ROHS 2.0
4. The dimensions with "\*" should be strictly control

5	INSULATOR 2	PTFE WHITE	1
4	BOBY 2	BRASS GOLD-PLATING	1
3	CENTER PIN	BRASS GOLD-PLATING	1
2	INSULATOR 1	PTFE WHITE	1
1	BOBY 1	BRASS GOLD-PLATING	1
	Name	Material	

CUSTOMER'S SINGATURE	XXX.	±3.0	APPROVED	CUSTOMER:		
	XX.	±1.0		PART NO:		
	X.	±0.5	CHECKED	PART NAME: SMA Card Edge Jack		
	.X	±0.3		Z&X P/NO: SMA-5205s-TGG		
	.XX	±0.1	DRAWING	REV	UNIT	FILE:
			X1	mm	SHEET: 1/1	

