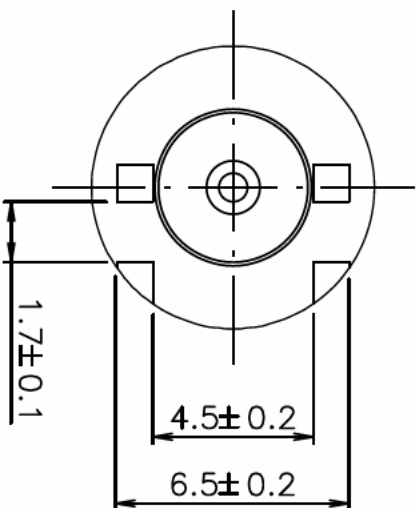
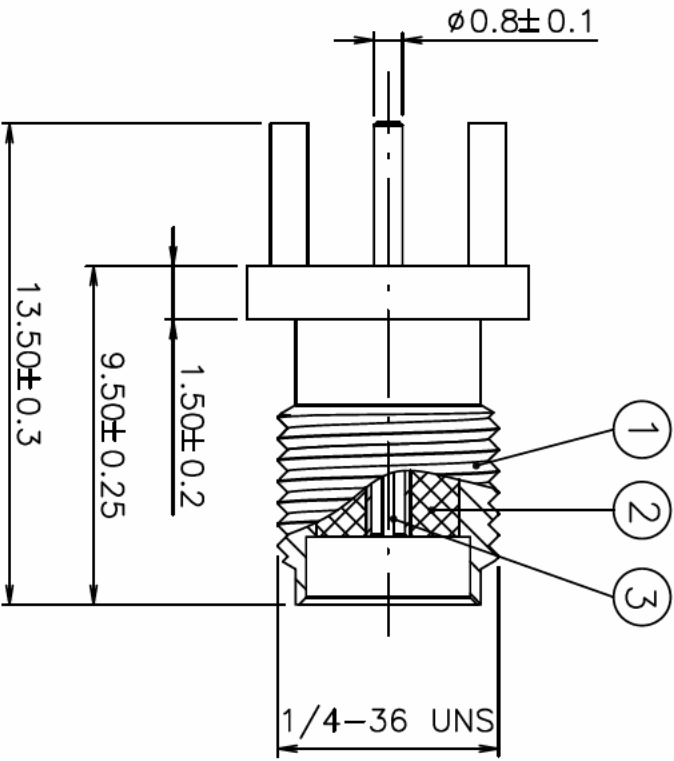
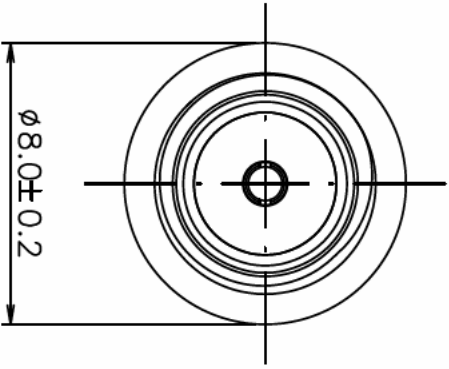


ROHS

NOTE: SMA FEMALE TO PCB



3	brass	gold
2	teflon	
1	brass	gold
	Material	Plated

SCHMID-M

APPROVED	GLAZE	DRAWING	DESIGN	TITLE	SMA Jack Card Edge	UNITS	mm	SCALE	5:1
		L.Y.C	L.Y.C	PART NO.	SMA-5245-TGG				
				DRAWING NO.					
				GLAZE					
				MATERIAL					
				SYE					
				DATE	2019/03/26				
				REV.	A				