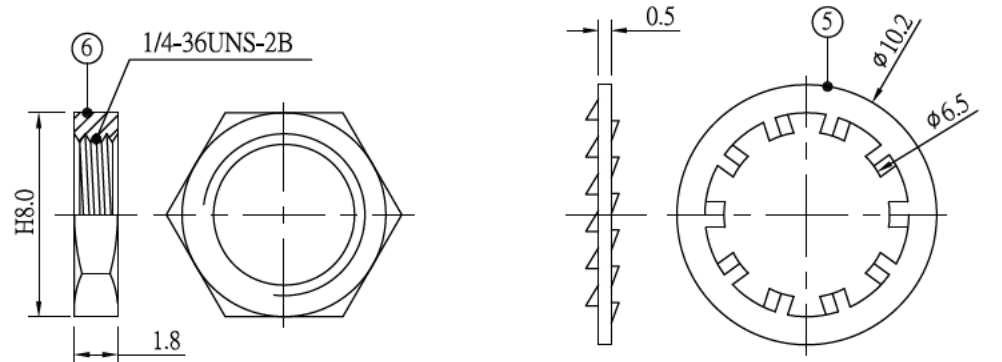
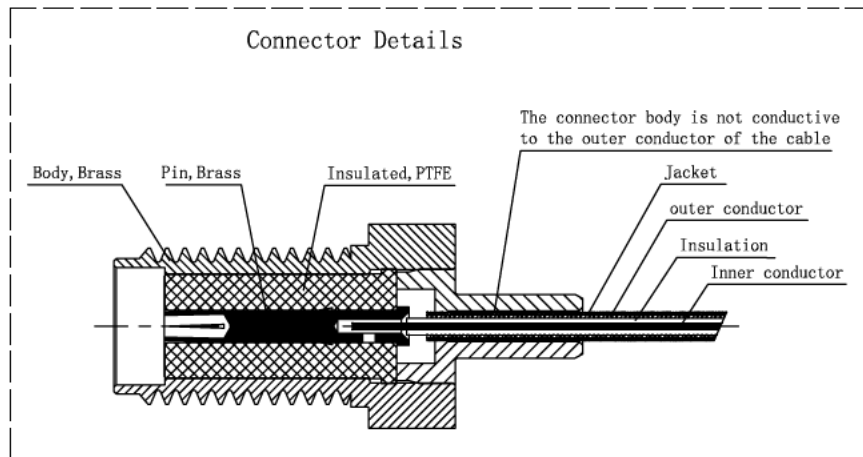
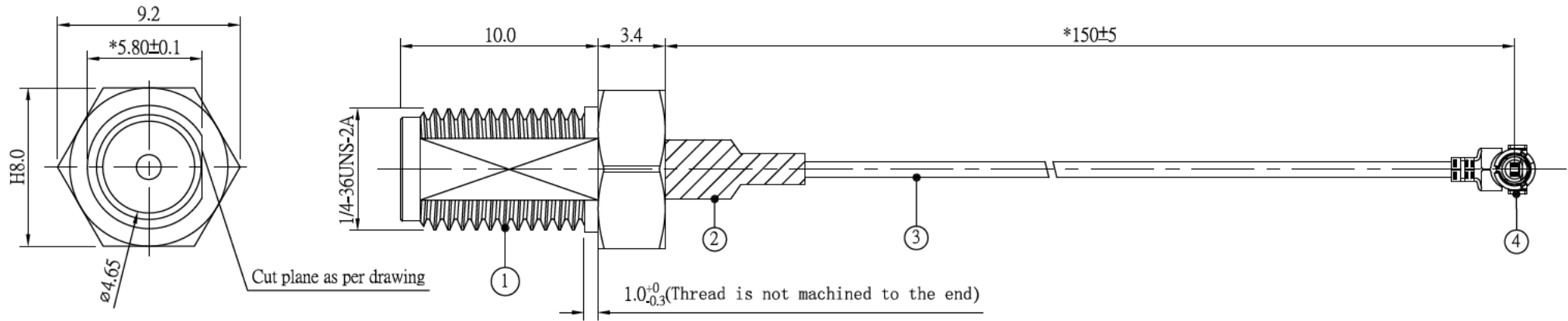


REV	DATE	DESCRIPTION
X1	4/23-2023	New Issue
X2	4/26-2023	update



1.ELECTRICAL PROPERTIES :

- 1.1 Frequency Range.....0-6GHz
- 1.2 Impedance.....50 Ohm Nominal
- 1.3 VSWR.....1.5(Max)

2.These Products are in conformity with ROHS 2.0

3.With"*"Is Important Dimension.

6	Nut	Brass;Gold Plated	1	
5	Washer	Brass;Gold Plated	1	
4	Connector	IPEX compatible	1	
3	Coaxial cable	Ø1.13 Cable;Gray	1	
2	Tube	Heat Shrink Tube	1	
1	Connector	SMA Female;Gold Plated	1	
NO	DESCRIPTION		QTY	REMARK

CUSTOMER'S SINGATURE	XXX.	±3.0	APPROVED	CUSTOMER:		
	XX.	±1.0	CHECKED	PART NO: SMA-X2-1.13-Cable-150mm-UFL		
	X.	±0.5		PART NAME: RF Cable Assembly		
	.X	±0.3	DRAWING	REV	UNIT	FILE:
	.XX	±0.1		X2	m/m	SHEET: 1/1

SCHMID-M