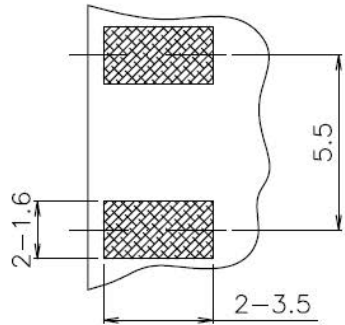
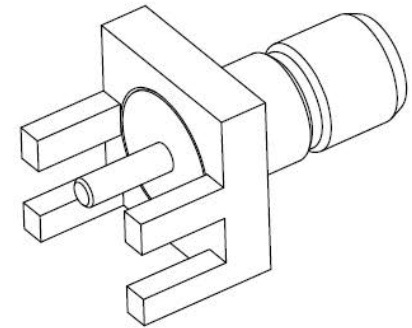
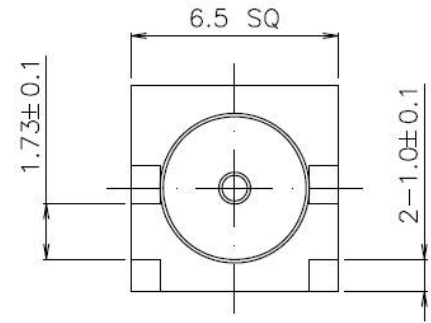
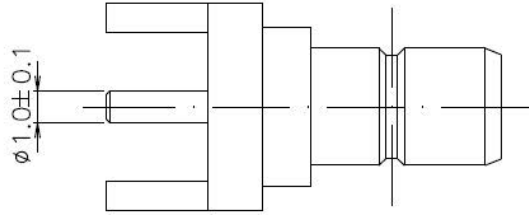
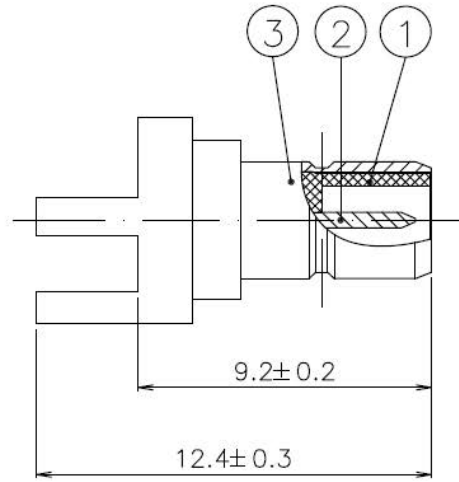


TOP SURFACE OF PCB



BOTTOM SURFACE OF PCB



3	brass	gold
2	brass	gold
1	PTFE	
	Material	Plated

TOLERANCE	
SCALE	UNIT mm
DRAW Green	DATE 15.12.2021
CHECK Wald	REV



SCHMID-M

TITLE
SMB-5205m-TGG

DESCRIPTION
SMB Edge Card Jack/Female