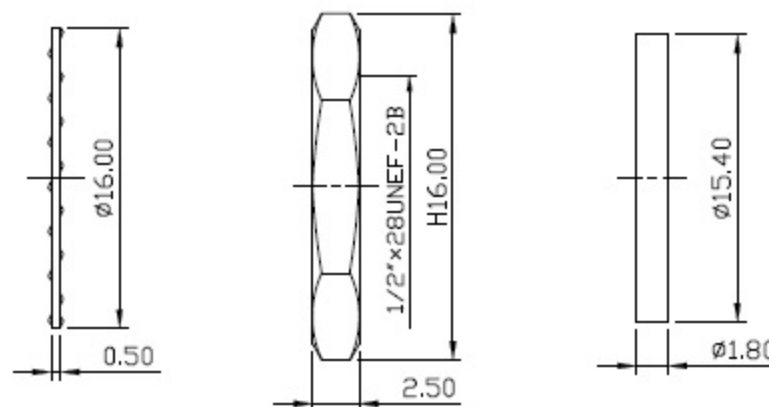


MOUNT HOLE



Impedance:50 ohm
 Frequency Range: 0 to 6.0 GHZ
 VSWR: 1:1.2 MAX
 Insertion Loss:0.4 dB MAX
 Dielectric withstanding Voltage:
 500 V Rms min at sea level

MATERIAL : BODY-BRASS
 CONTACT-BE CU
 INSULATOR-TEFLON
 SLEEVE-BRASS
 LOCK WASHER-BRASS
 NUT-BRASS
 O-RING-SI RUBBER
 FINISH : BODY-NICKEL PLATING
 SLEEVE-NICKEL PLATING
 CONTACT-GOLD PLATING OVER NICKEL
 LOCK WASHER-NICKEL PLATING
 NUT-NICKEL PLATING

DIMENSIONS ARE IN MILLIMETERS			SCALE 3:1	TITLE TNC Jack Bulkhead to MMCX Hermetically sealed Adapter
TOLERANCE				
· ×	±0.5	ANGLE ±3°	DATE 97.05.20	DRAWING NO TNCjBUL-MMCX-674-TGN-Hermetic
· × ×	±0.1			
· × × ×	±0.05		DATE	FILE NO
DRAWN		DATE	97.05.20	
APPROVAL		DATE		

SCHMID-M