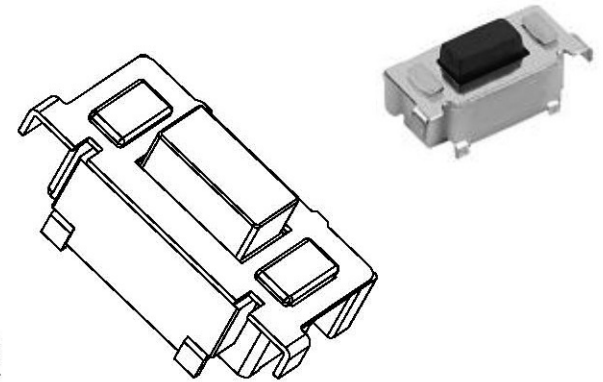
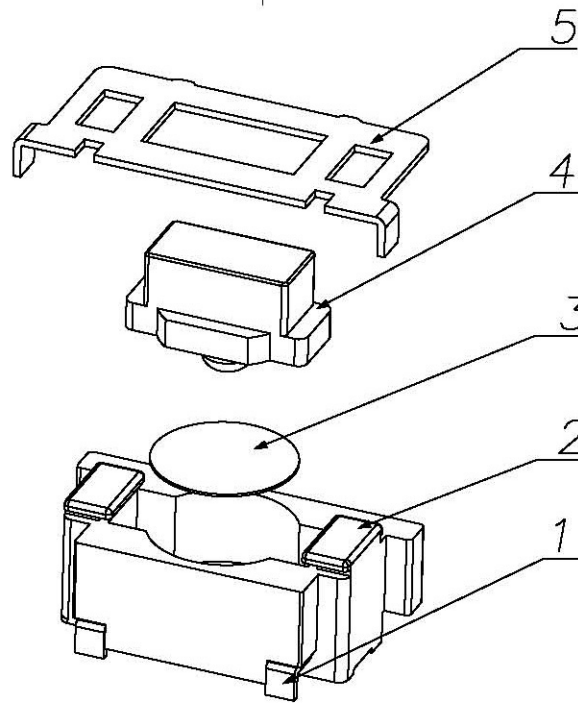
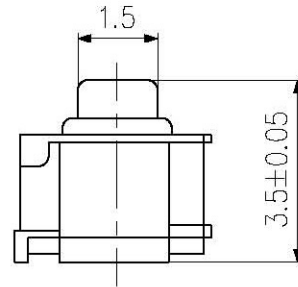


Recommended P.C.B layout



- 1. Rating: DC12V 50mA.
- 2. Travel: 0.20 ± 0.1 mm.
- 3. Operating Force: 180 ± 50 gf.
- 4. Contact Resistance: 100Ω Max.
- 5. Life: 50,000 Cycles Min.

5			
4	PPA		
3			
2	PPA		
1			

NO.	DESCRIPTION	MATERIAL	COLOR	REMARK
-----	-------------	----------	-------	--------



ITEM NO.	
PART NO.	TS3635B-180AH
DRAWING NO.	B OMT3.608.215
SCALE	UNIT mm A4

ECN(DCN) NO.	REV	DATE	DESCRIPTION	CHANGE	APPRO.	Angle	$\pm 2^\circ$	DESIGN			
						30~	± 0.3	CHECH			
						10~30	± 0.2	VERIFY			
						~ 10	± 0.15	APPROVAL			
						GENERAL TOLERANCE UNLESS OTHERWISE NOTED					